

Part Number: PT413-35240 "TRD SPORT, TRD OFF-ROAD" Part Number: PT413-35250 "SR5"

Kit Contents

Item #	Quantity Reqd.	Description
1	1	Illuminated Logo
2	1	Harness
3	5	Wire Ties
4	2	Foam Pads

Hardware Bag Contents

Item #	Quantity Reqd.	Description
1		

Additional Items Required For Installation

Item #	Quantity Reqd.	Description
1		

Conflicts

--

Recommended Tools

Personal & Vehicle Protection	Notes
Special Tools	Notes
Installation Tools	Notes
Lint Free Wipes	
Ratchet	
Socket	10 mm
Cutters	
Panel Clip Tool	
Special Chemicals	Notes

General Applicability

MY24 and newer Tacoma vehicles


Recommended Sequence of Application


Item #	Accessory
1	


Vehicle Service Parts (may be required for reassembly)


Item #	Quantity Reqd.	Description
1		


Legend


 **STOP:** Damage to the vehicle may occur. Do not proceed until process has been complied with.


 **OPERATOR SAFETY:** Use caution to avoid risk of injury.

 **CAUTION:** A process that must be carefully observed in order to reduce the risk of damage to the accessory/vehicle and to ensure a quality installation.

 **TOOLS & EQUIPMENT:** Used in Figures calls out the specific tools and equipment recommended for this process.

 **REVISION MARK:** This mark highlights a change in installation with respect to previous issue.

 **SAFETY TORQUE:** This mark indicates that torque is related to safety.

 **REGULATORY MARK:** This mark indicates the component is related to regulatory compliance

Care must be taken when installing this accessory to ensure damage does not occur to the vehicle. The installation of this accessory should follow approved guidelines to ensure a quality installation.

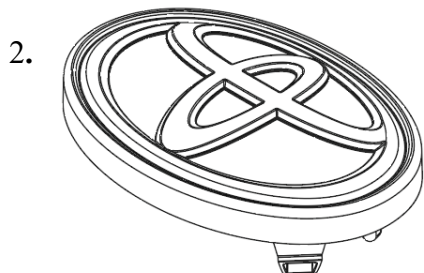
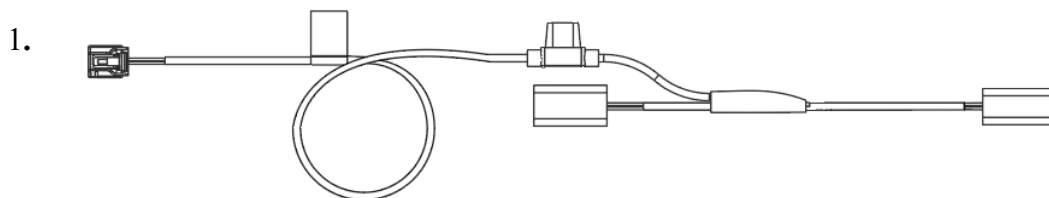
These guidelines can be found in the "Accessory Installation Practices" document.

- This document covers such items as:-
- Vehicle Protection (use of covers and blankets, cleaning chemicals, etc.).
 - Safety (eye protection, rechecking torque procedure, etc.).
 - Vehicle Disassembly/Reassembly (panel removal, part storage, etc.).
 - Electrical Component Disassembly/Reassembly (battery disconnection, connector removal, etc.).

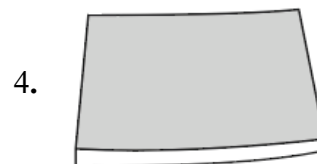
Please see your Toyota dealer for a copy of this document.

*Mandatory

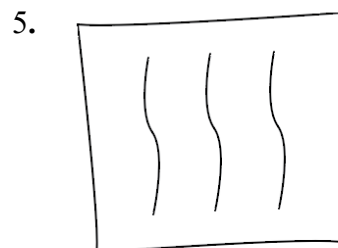
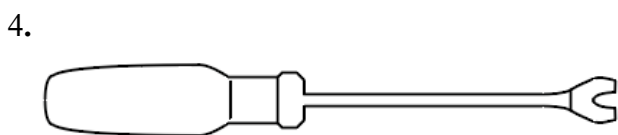
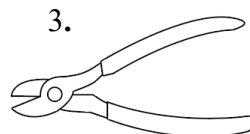
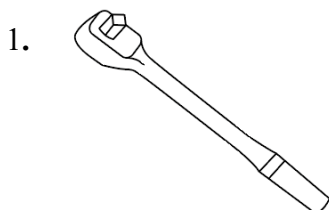
KIT CONTENTS: 1. Harness 2. Illuminated Logo 3. Wire Ties (5) 4. Foam Pads (2)



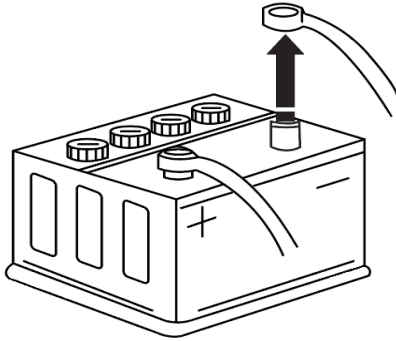
Attention!
Logos are meant for specific grilles:
PT413-35240 - TRD SPORT, TRD OFF ROAD
PT413-35250 - SR5



TOOLS: 1. Ratchet 2. Socket 3. Cutters 4. Panel Tool 5. Lint Free Cloth

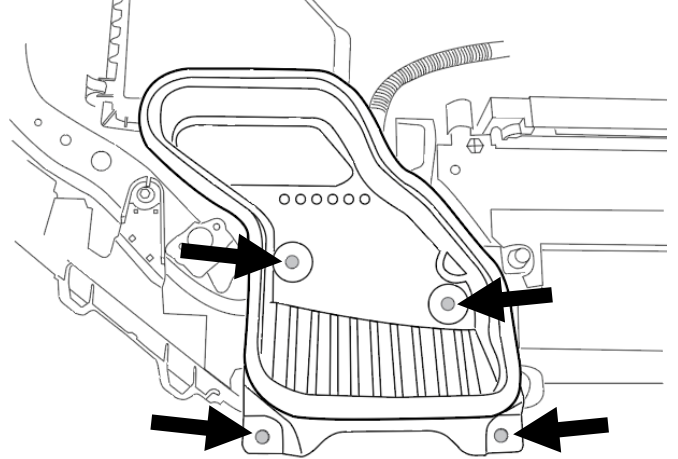


1 Using a ratchet and socket, disconnect ground terminal from battery.

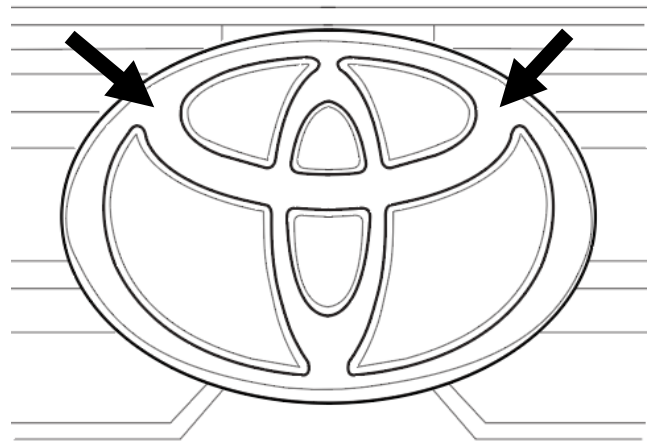
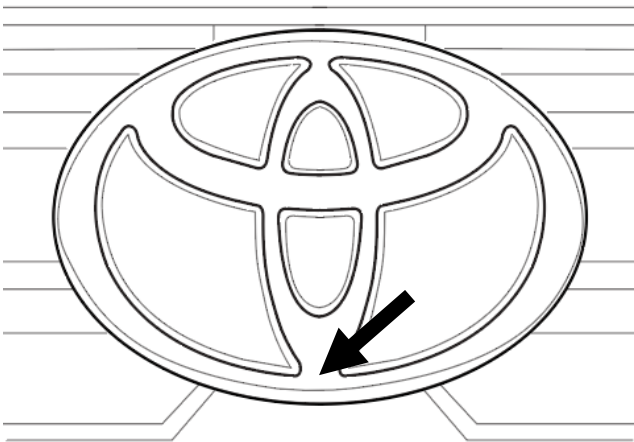


 Caution: Shock hazard present

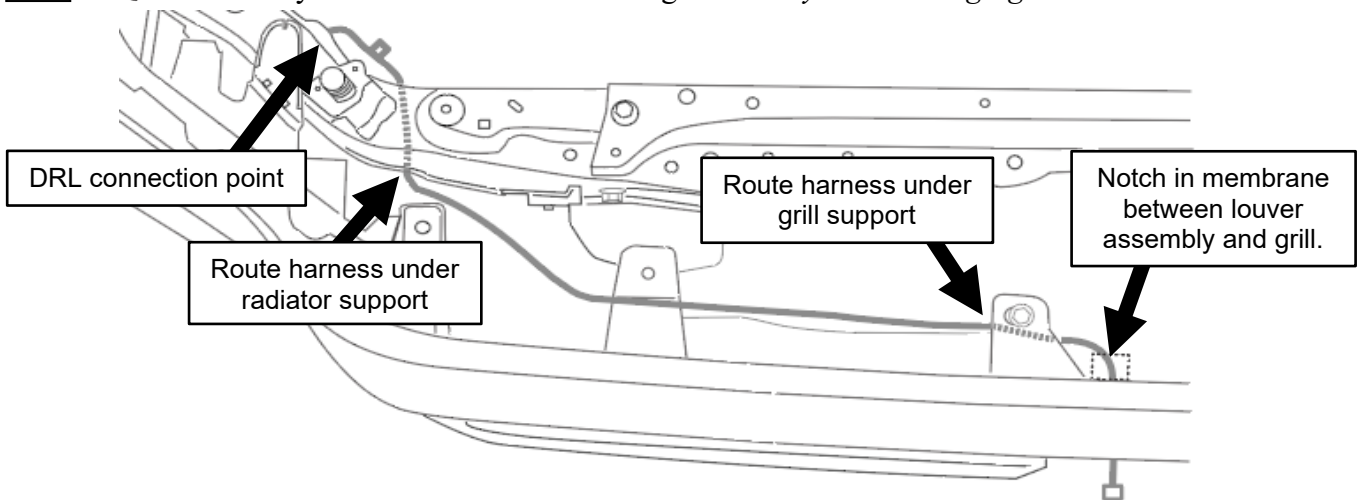
2 Using a panel tool, remove four (4) push-clips securing the air inlet.




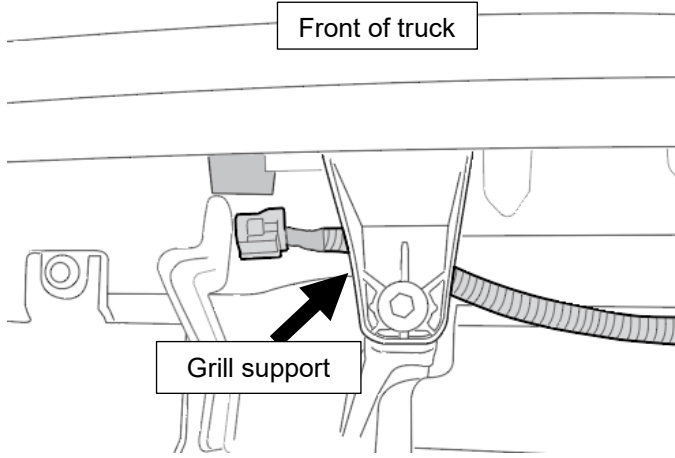
3 Use panel tool to disengage bottom clip. Pull logo forward from bottom to disengage top clips. Using a lint free cloth, thoroughly wipe logo area.




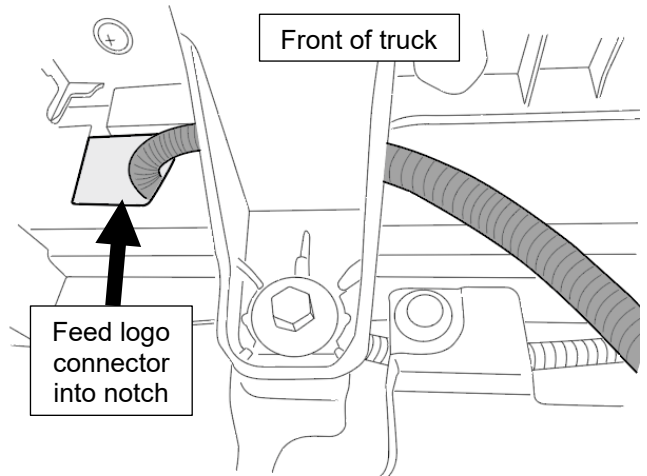
4 This is an overview of the harness routing. Routing will start at the badge connector end, and harness layout will move toward the right-side *daytime running light* or DRL.




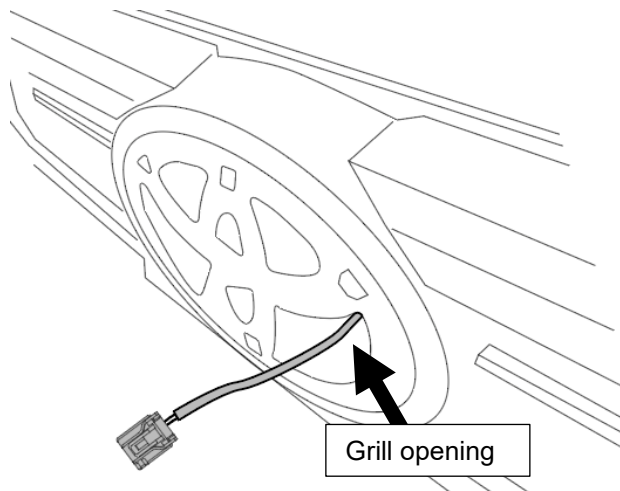
5  Route logo end of harness under grill support.



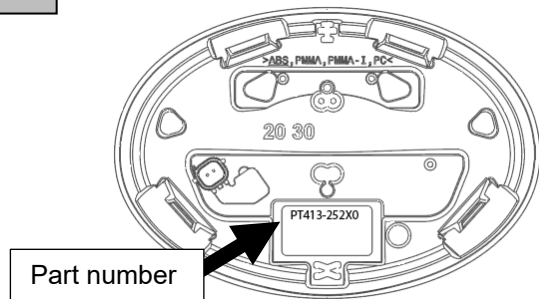
6  Using left hand route harness through membrane notch.



7  Grasp with right hand and pull through.

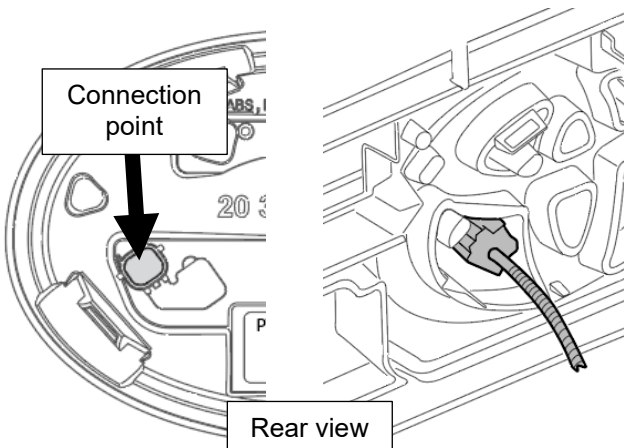


8 Verify correct part number.

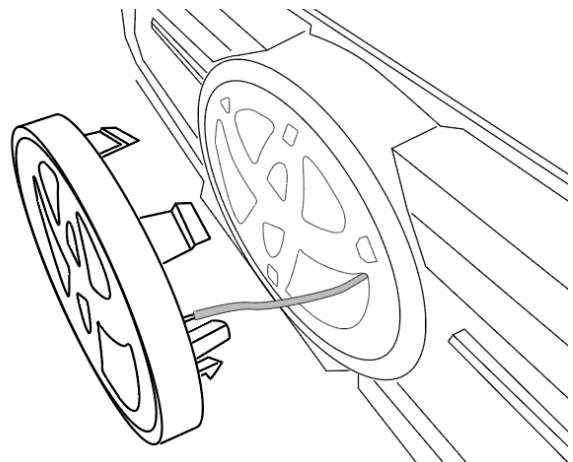


Attention! Logos are meant for specific grilles:
PT413-35240 - TRD SPORT, TRD OFF ROAD
PT413-35250 - SR5

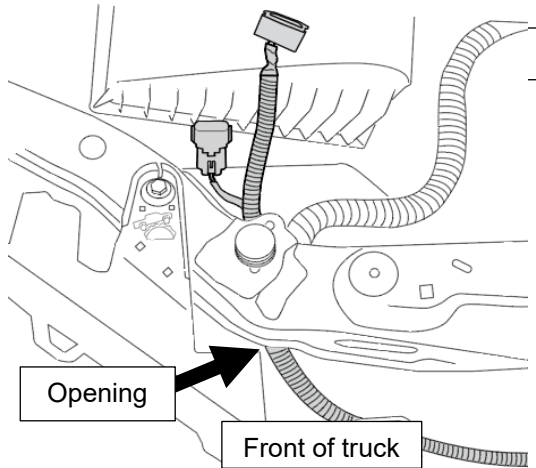
9 Locate connection point on logo and connect to harness.



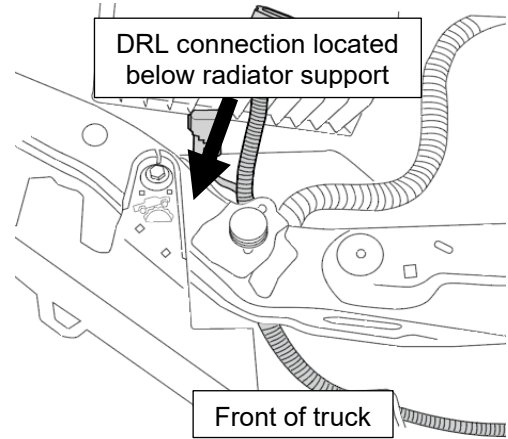
10 With harness connected, snap logo into place.



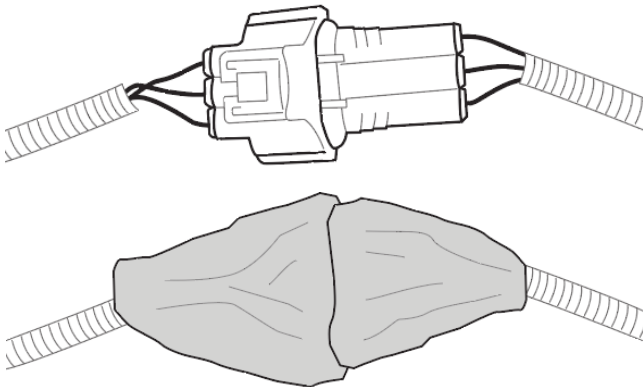
11 Route harness under radiator support towards right DRL.



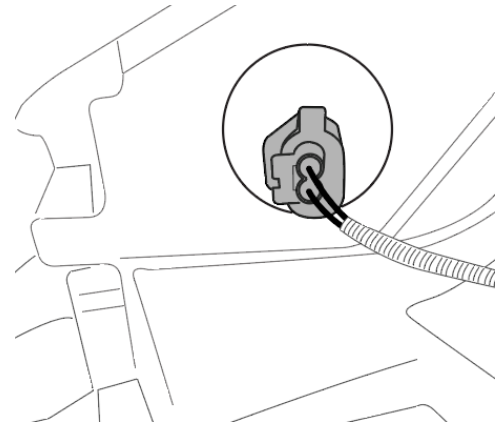
12 Locate DRL 3-pin connector on right-side of headlight housing. Detach DRL connector from headlamp assembly.



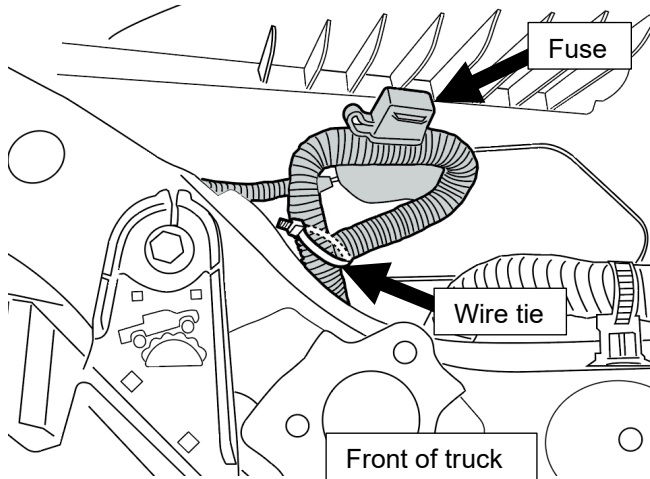
13 Connect DRL connector to illuminated logo harness. Wrap with two (2) foam pads covering any visible wire.



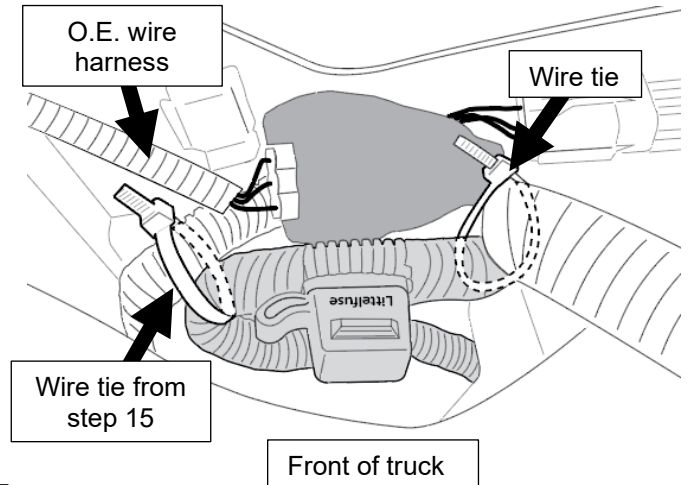
14 Connect the other end of the illuminated logo wiring harness to the DRL.




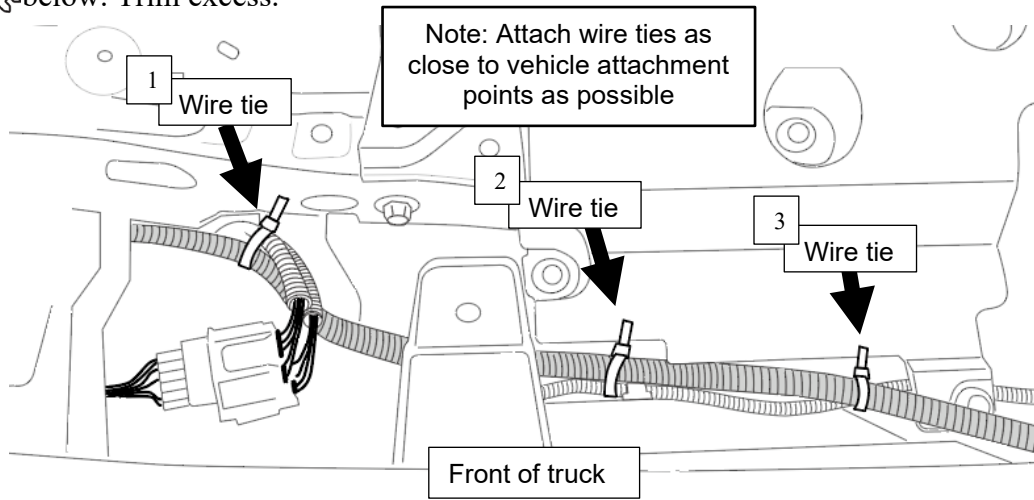
15 Bundle excess harness together, orientating the fuse upwards. Secure with one (1) wire tie. Trim excess.



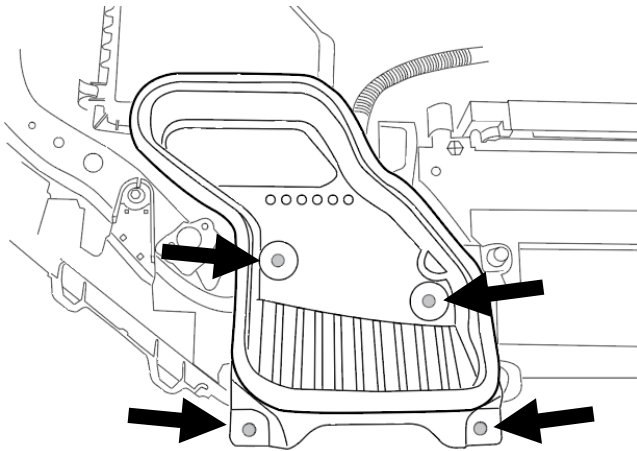
16 Secure bundle with one (1) wire tie making sure fuse is at the top. Tuck connections under the bundle. Trim excess.




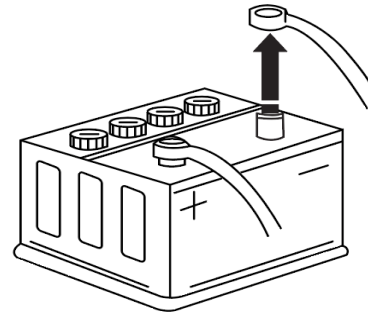
17  Secure harness with three (3) wire ties along vehicle harness in the order shown below. Trim excess.




18 Reinstall four (4) push-clips removed in step two.



19  Using a ratchet and socket, connect ground terminal to battery.



 Tighten screw on battery terminal to 5.4Nm (48in-lb)

 Caution: Shock hazard present

<u>Check:</u>	<u>Look For:</u>
<p><u>Accessory Function Checks</u></p> <p><input type="checkbox"/> Correct part number for correct model grille on vehicle.</p> <p><input type="checkbox"/> Accessory harness is secure.</p> <p><input type="checkbox"/> Logo illuminates when daytime running lights are on.</p>	<p>Verify part number on package.</p> <p>Check that all five (5) wire ties are secure and trimmed.</p> <p>Check for illumination.</p>
<p><u>Vehicle Appearance Check</u></p> <p><input type="checkbox"/> After accessory installation and removal of protective cover(s), perform a visual inspection.</p>	<p>Ensure no damage (including scuffs and scratches) was caused during the installation process. (For PPO installations, refer to TMNA Accessory Quality Shipping Standards.)</p>