

Part Number: PTR60-35240

Kit Contents

Item #	Quantity Req.	Description
1	1	Front Skid Plate

Hardware Bag Contents

Item #	Quantity Req.	Description

Additional Items Required For Installation

Item #	Quantity Req.	Description

Conflicts

None

Recommended Tools

Personal & Vehicle Protection	Notes
Safety Glasses	
Cut Resistant Gloves	
Special Tools	Notes
Installation Tools	Notes
Ratchet	
Socket	12mm Deep Socket
Torque Wrench	10-50 ft-lb range
Special Chemicals	Notes

General Applicability

MY24 Tacoma HV and newer Models
MY24 Tacoma (Gas) TRD Off-Road Models ONLY








Recommended Sequence of Application

Item #	Accessory
1	Front Skid Plate

Vehicle Service Parts (may be required for reassembly)

Item #	Quantity Req.	Description
1	6	90119-A0549 (BOLT, W/WASHER) - M8 Bolts from existing undercovers

Legend

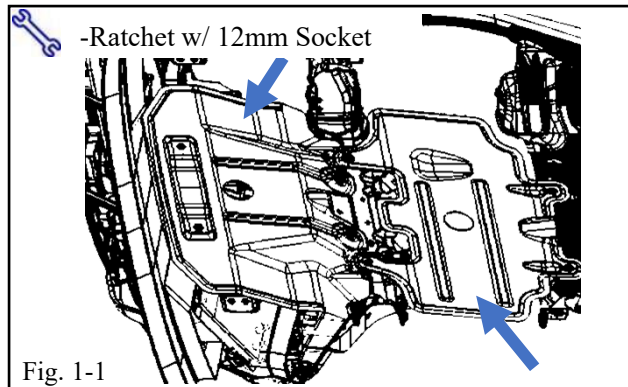
	STOP: Damage to the vehicle may occur. Do not proceed until process has been complied with.
	OPERATOR SAFETY: Use caution to avoid risk of injury.
	CAUTION: A process that must be carefully observed in order to reduce the risk of damage to the accessory/vehicle and to ensure a quality installation.
	TOOLS & EQUIPMENT: Used in Figures calls out the specific tools and equipment recommended for this process.
	REVISION MARK: This mark highlights a change in installation with respect to previous issue.
	SAFETY TORQUE: This mark indicates that torque is related to safety.
	REGULATORY MARK: This mark indicates the component is related to regulatory compliance

Care must be taken when installing this accessory to ensure damage does not occur to the vehicle. The installation of this accessory should follow approved guidelines to ensure a quality installation.

These guidelines can be found in the “Accessory Installation Practices” document. This document covers such items as:

- Vehicle Protection (use of covers and blankets, cleaning chemicals, etc.).
- Safety (eye protection, rechecking torque procedure, etc.).
- Vehicle Disassembly/Reassembly (panel removal, part storage, etc.).
- Electrical Component Disassembly/Reassembly (battery disconnection, connector removal, etc.).

Please see your Toyota dealer for a copy of this document.

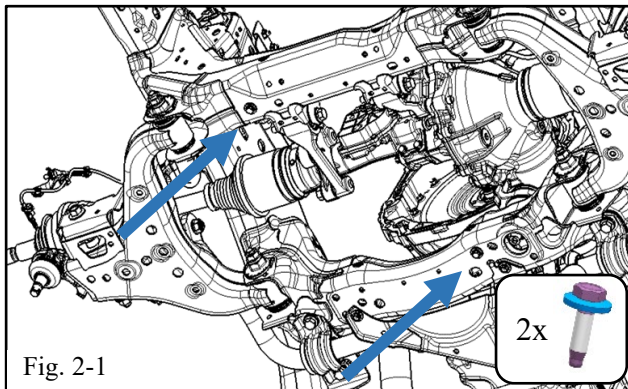


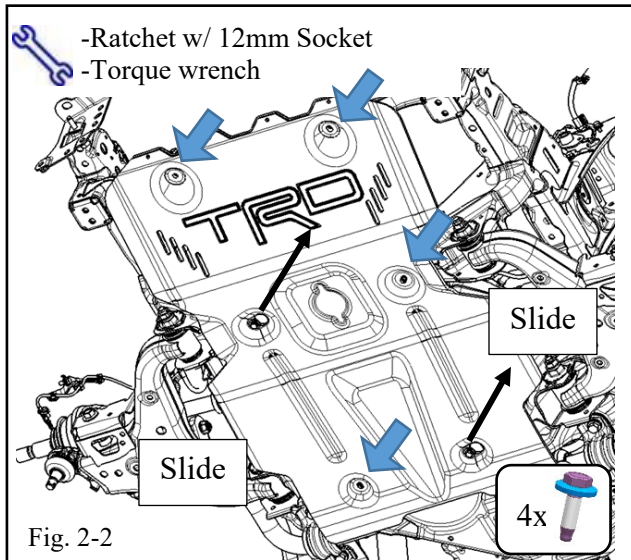
1. Vehicle Preparation


- (a) Installation of the skid plate should not take place until the following have been completed:
 - (1) Remove the existing Engine Undercover 1 & Engine Undercover No. 2. Set fasteners aside for use later (Fig. 1-1)

2. Skid Plate Installation

- (a) Install 1 of the M8 bolts, removed from the undercover, in the No.1 cross member on the RH side. Tighten 3 turns only (Fig. 2-1)
- (b) Install 1 of the M8 bolts, removed from the undercover, in the No.2 cross member on the LH side. Tighten 3 turns only (Fig. 2-1)





- (c) Install the skid plate.
 - i) Slide the skid plate onto the bolts installed in the previous step by sliding the skid plate forward and to the LH side (Fig. 2-2).
- (d) Install the remaining 4 M8 bolts, removed from the existing undercover, hand tight. Start with the front bolt above the “T” in TRD (Fig. 2-2).
-  (e) Tighten all bolts fully and torque to 29Nm (22ft-lbs), tightening order is free.

Torque: 29 N•m (22 ft•lbs)

3. Customer Care Card

- (a) Place customer care card in glove box.

Checklist - these points **MUST** be checked to ensure a quality installation.

<u>Check:</u>	<u>Look For:</u>
<p><u>Accessory Function Checks</u></p> <p><input type="checkbox"/> Check that all bolt are tight.</p>	<p>Lightly tap skid plate with palm, you should not hear any rattling.</p>
<p><u>Vehicle Function Checks</u></p>	
<p><u>Vehicle Appearance Check</u></p> <p><input type="checkbox"/> After accessory installation, perform a visual inspection.</p>	<p>Ensure no damage (including scuffs and scratches) was caused during the installation process.</p>